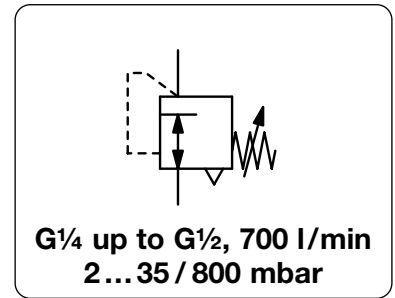


<b>Description</b>	Diaphragm regulator with small dimensions. Suitable for low pressure applications, with high relief capacity. A sensitive rolling diaphragm ensure constant outlet pressure even with changing supply pressure and flow fluctuations.	
<b>Media</b>	compressed air or non-corrosive gases	
<b>Recommendation</b>	connection thread G $\frac{1}{2}$ for pressure range 0...35 / 140 / 280 mbar	
<b>Supply pressure</b>	max. 10 bar	
<b>Accuracy</b>	response sensitivity: < 0,2 mbar	<b>Air consumption</b> max. 2 l/min depending on outlet pressure
<b>Adjustment</b>	by handwheel with locknut	
<b>Relieving function</b>	relieving, optionally non-relieving	<b>Relief capacity</b> 14 l/min at 7 mbar above setpoint 70 mbar
<b>Gauge port</b>	G $\frac{1}{4}$ on both sides of the body, optionally $\frac{1}{4}$ NPT	
<b>Mounting position</b>	any	
<b>Temperature range</b>	0 °C to 90 °C / 32 °F to 194 °F, for appropriately conditioned compressed air down to -40 °C / -40 °F	
<b>Material</b>	Body: aluminium die-cast Inner valve: stainless steel and galvanised steel Elastomer: NBR/Buna-N, optionally FKM	



Dimensions			K <sub>v</sub> -value (m <sup>3</sup> /h)	Flow rate		Connection thread G	Pressure range mbar	Order number
A	B	C		m <sup>3</sup> /h*1	l/min*1			

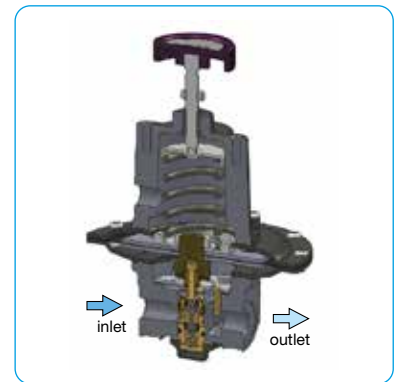
Precision regulator for low pressure								supply pressure max. 10 bar, relieving, with constant bleed	R110
67	180	25	0,4	42	700	G $\frac{1}{4}$	2... 35		<b>R110-020</b>
							2... 140		<b>R110-02A</b>
							2... 280		<b>R110-02B</b>
							2... 400		<b>R110-02C</b>
							2... 800		<b>R110-02D</b>
67	180	25	0,4	42	700	G $\frac{1}{2}$	2... 35		<b>R110-040</b>
							2... 140		<b>R110-04A</b>
							2... 280		<b>R110-04B</b>
							2... 400		<b>R110-04C</b>
							2... 800		<b>R110-04D</b>



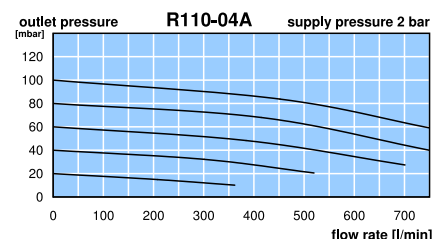
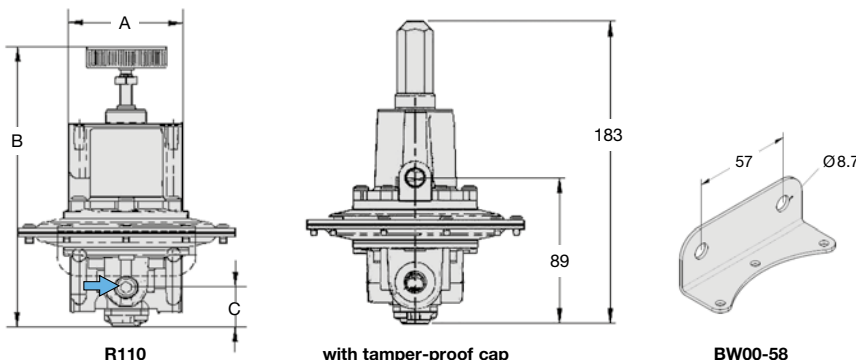
R110

Special options, add the appropriate letter		
G $\frac{3}{8}$	connection thread	R110-03 .
NPT	connection thread	R110-0 . .N
non-relieving	without constant bleed	R110-0 . .K
reduced bleeding	ca. 1 l/min	R110-0 . .X19
tapped exhaust	connection thread G $\frac{1}{4}$	R110-0 . .X12
FKM elastomer		R110-0 . .V
tamper-proof cap	aluminium, adjustment by screwdriver, total height 183 mm	R110-0 . .T

Accessories, enclosed		
pressure gauge	Ø 63 mm, 0... *2 mbar, G $\frac{1}{4}$ , capsule type	<b>MA6302-... *2</b>
	Ø 63 mm, 0...600mbar, G $\frac{1}{4}$ , Bourdon tube	<b>MA6302-C6</b>
	Ø 63 mm, 0... 1 bar, G $\frac{1}{4}$ , Bourdon tube	<b>MA6302-01</b>
gauge connectors	NPT connection thread, adapter $\frac{1}{4}$ " NPT to G $\frac{1}{4}$ female	<b>VP-0202N</b>
mounting bracket	made of steel	<b>BW00-58</b>



cross-section



\*1 at 7 bar supply pressure, 800 mbar outlet pressure and 40 mbar pressure drop  
\*2 B6 = 0...60 mbar, C2 = 0...160 mbar, C3 = 0...250 mbar, C4 = 0...400 mbar